

### OVERHEAD PATIO HEATER



SE+ Series

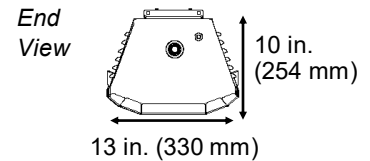
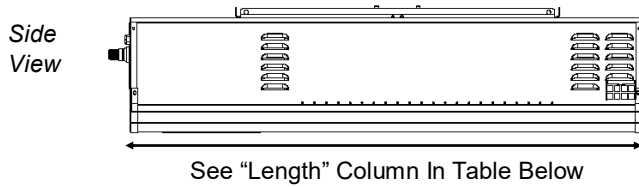
### FEATURES

- Made with 316 Marine Grade Stainless Steel to prevent rusting.
- Sleek black enclosure to enhance the aesthetics of your patio.
- Overhead mounting leaves more space for seating and keeps aisles clear.
- Low clearance to combustibles allows flexible mounting options.
- Built-in gas lines eliminate portable propane tanks, making the patio more efficient on your gas bill and safer for customers.
- Optional accessories include patio remote control, patio panel, wall mounting brackets, arm kits and more.

### SUPER HIGH-EFFICIENCY (SE+) SERIES HIGH INTENSITY INFRARED GAS HEATER

<b>Installation Type</b>	External (Outdoor) Commercial/Industrial and Residential Applications as a patio heater.  Internal (Indoor) Commercial/Industrial as a gas-fired, high-intensity infrared heater. Not for use in indoor residential applications.
<b>Burner Types</b>	<ul style="list-style-type: none"> <li>• Single Stage</li> <li>• 2-Stage (select a low or high heat setting)</li> </ul>
<b>Gas Types</b>	Natural and Propane (depends on model)
<b>Venting</b>	Indirect Vent only
<b>High Altitude Approved</b>	Up to 6,800 ft (2,072 m)
<b>Construction</b>	Enclosure cabinet is constructed of marine grade stainless steel with a steel black finish appearance.
<b>Certifications</b>	<ul style="list-style-type: none"> <li>• ANSI Z83.19b / CSA 2.35b High Intensity Gas-Fired Heaters (Indoor Use)</li> <li>• ANSI Z83.26 / CSA 2.37 Outdoor Gas-Fired Patio Heaters (Outdoor Use)</li> </ul>
<b>Warranty</b>	<ul style="list-style-type: none"> <li>• Burner Assembly: 3 Years</li> <li>• Ceramic Tile: 3 Years</li> <li>• Parts and Components: 1 Year</li> </ul>
<b>Included with Purchase</b>	Hanging bracket for overhead suspension.

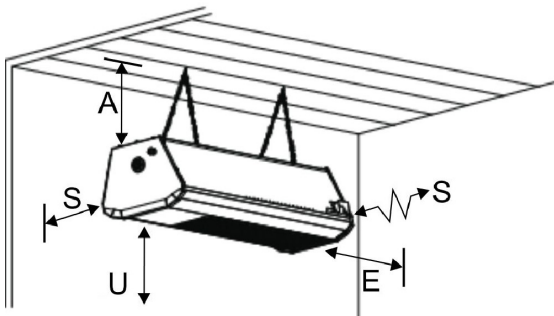
### DIMENSIONS AND MODELS



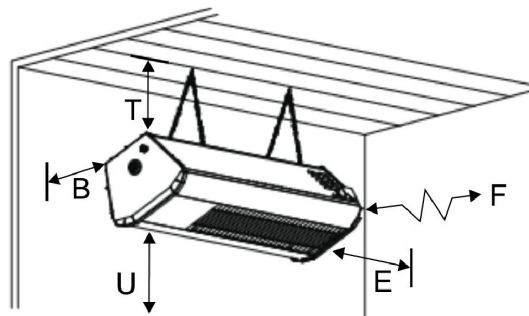
Input Rate [Max Btu/h]	Model Number	Burner Type	Gas Type	Voltage VAC	Current Amps	Weight lb (kg)	Length in. (mm)
25,000	RSEP1S25P	1-Stage	LP	24	40 VA <sup>1</sup>	32 (15)	30.5 (775)
25,000	RSEP1S25N	1-Stage	NG			32 (15)	30.5 (775)
35,000	RSEP1S35P	1-Stage	LP			44 (20)	43.5 (1,105)
35,000	RSEP1S35N	1-Stage	NG			44 (20)	43.5 (1,105)
50,000/35,000	RSEP2S50N	2-Stage	NG			49 (22)	48.25 (1,225)

<sup>1</sup> For multiple heater installations: 40VA for the first heater and 20VA for each additional heater.

Horizontal Installation



Installation up to 30° Angle



**INDOOR MODELS**

MODEL	HORIZONTAL		UP TO MAXIMUM 30° ANGLE			U (Under)	E (Ends)
	A (Above)	S (Sides)	T (Above)	B (Back)	F (Front)		
RSEP1S25X - NG/LPG	8 (203)	10 (254)	12.5 (317)	2.5 (63)	14 (356)	60 (1,524)	4 (102)
RSEP1S35X - NG/LPG	10.5 (267)	14.5 (368)	12.5 (317)	2.5 (63)	26 (660)	60 (1,524)	6 (152)
RSEP2S50N - NG Only	24 (610)	33 (838)	24 (610)	24 (610)	78 (1,981)	78 (1,981)	24 (610)

**OUTDOOR MODELS**

MODEL	HORIZONTAL		UP TO MAXIMUM 30° ANGLE			U (Under)	E (Ends)
	A (Above)	S (Sides)	T (Above)	B (Back)	F (Front)		
RSEP1S25X - NG/LPG	5.5 (140)	7 (178)	9.5 (241)	1 (25)	9.5 (241)	48 (1,219)	3 (76)
RSEP1S35X - NG/LPG	7.5 (190)	9 (229)	9.5 (241)	1.5 (38)	21 (533)	48 (1,219)	5 (127)
RSEP2S50N - NG Only	12 (305)	28 (711)	16 (406)	10 (254)	36 (914)	60 (1,524)	21 (533)

Mounting Options (Optional)

Images are for illustration purposes only.

Ceiling Mount Bracket PN: 903000009	Arm Mount Bracket PN: 903000028	Wall Mount Bracket PN: 903000022	Post Mount Bracket PN: 903000026

Heater Controls

Remote Control	Remote Control Receiver Kit	Patio Control Panel	Control Switches (2-Stage Models)
Keypad PN: 903000032  Four Button Remote PN: 903000031	Remote Control Receiver Kit PN: 903000030	<p>Single-Stage Models:</p> <ul style="list-style-type: none"> <li>Up to 4 heaters (PN: 903000001)</li> <li>Up to 8 heaters (PN: 903000002)</li> <li>Up to 12 heaters (PN: 903000003)</li> </ul> <p>Two-Stage Models:</p> <ul style="list-style-type: none"> <li>Up to 2 heaters (PN: 903000001)</li> <li>Up to 4 heaters (PN: 903000002)</li> <li>Up to 6 heaters (PN: 903000003)</li> </ul>	Single Switch PN: 903000006 Double Switch PN: 903000007 Triple Switch PN: 903000008